



**isselbaecher**  
FOOD · SERVICE · EQUIPMENT GMBH

**world patented**

# Ultra low temperature freezers and refrigeration





Innovative thinking, combined with a long tradition in production of refrigerators and freezers, has demonstrated Dairei to be one of the leading companies for **low temperature** applications for more than 40 years.

The combination of Danish design, ISO certified corrosion-free cabinets, high quality refrigeration standard components, and Dairei world patented refrigerants, insures a truly unique cooling system. **High performance**, reliability, low noise level, low heat dissipation and **low energy consumption**, are all part of the package.

All our products comply with IEC standards. Our own personal standards demand the use of **recyclable refrigeration components** and cyclopentane blown insulation, which is the most **environmentally friendly** refrigerator/freezer insulation product found today. Dairei products are designed in such a way that any qualified refrigeration technician throughout the world can perform service without the need of any extra training.

Our aim is to offer the market a **reliable, top quality product** which will meet customer demands at a reasonable cost, no more no less.

Micro processor controlled digital display, acoustic alarm, external alarm contact for remote monitoring system, porthole for installation of a PT100 sensor and/or a CO2 back-up, handle with lock, sublids, castors, drain hole and corrosion free cabinets, are all standard.



# ULTRA LOW TEMPERATURE FREEZERS



ULTF 420

$\div 40^{\circ}$   
 $\div 60^{\circ}$   
 $\div 83^{\circ}$



ULTF 320



ULTF 80

## STANDARD FEATURES

- Single compressor
- Low energy consumption
- Low noise level
- 100 % HCFC/CFC free
- Porthole for installation of
  - PT100/Co<sup>2</sup> back up
  - Sublids
  - Castors
  - Lock

## NEW

- Advanced battery back up digital display for 72 hours back up featuring
  - Visual and Acoustic alarm
  - power failure alarm
- Exterior alarm contact for remote monitoring
- High/low Temperature Alarm
  - Probe failure alarm
- Instrument ( Eprom ) failure alarm
- Battery back up for alarms and temperature in the event of powercut
- 3 pin PT100 special designed for Ultra Low temperature
- 4 year lifetime battery

## SPECIFICATIONS

	ULTF 80	ULTF 320	ULTF 420
Gross capacity (Liters)	74	296	383
Dimensions, Exterior (mm) :			
Width	550	1260	1560
Height with castors	875	885	885
Depth (with handles/hinges)	645	695	695
Depth (without handles/hinges)	550	600	600
Insulation	80	80	80
Dimensions, Interior (mm) :			
Height	482	650	650
Width	390	1100	1400
Depth	390	442	442
Temperature range from - 40°C to - 83°C.			
At 25°C ambient temperature	-83°C	-83°C	-83°C
Technical data:			
Power supply (V)	230	230	230
50/60 Hz	10A	10A	10A
Weight (Kgs)	45	89	100

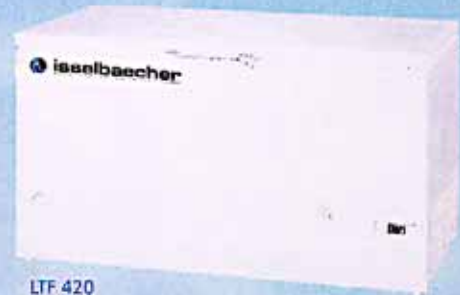
Subject to confirmation and availability - design may vary. We reserve the right to change specifications without notice

# LOW TEMPERATURE FREEZERS

-30°  
-45°  
-53°



LTF 530



LTF 420



LTF 80



LTF 320

## STANDARD FEATURES

- Single compressor
- Low energy consumption
- Low noise level
- Digital display
- Acoustic alarm
- External contact for remote monitoring
- Castors
- Lock
- 100% HCFC/CFC free
- Basket(s)



## SPECIFICATIONS

	LTF 80	LTF 150	LTF 320	LTF 420	LTF 530
Gross capacity (Liters)	74	140	296	383	532
Dimension, exterior (mm) :					
Width	550	720	1260	1560	1770
Height with castors	875	885	885	885	870
Depth (with handles/hinges)	645	695	695	695	730
Depth (without handles/hinges)	550	600	600	600	650
Insulation	80	80	80	80	80
Dimension, interior (mm) :					
Height	480	650	650	650	700
Width	390	560	1100	1400	1610
Depth	390	442	440	442	490
Temperature range from -30°C to -53°C:					
At 25° C ambient temperature	-53°C	-53°C	-53°C	-50°C	-45°C
Weight (Kgs)	40	64	84	95	104

Subject to confirmation and availability - design may vary. We reserve the right to change specifications without notice.

# REFRIGERATORS AND FREEZERS

## WITH DIGITAL DISPLAY AND LOCK

**SPARK FREE**  
(Midi)



Midi 625 F

**NEW**



Compact 400 LE

**NEW**



Certified ZONE II  
GS standard

Midi 425 F

Compact 200 LE

### SPECIFICATIONS FOR MIDI

Item Code	K 425 LSG	F 425 LSG	K 625 LSG	F 625 LSG
Equipped with:	Right hand hinged reversible door with lock, automatic door closing, 4 grey shelves, castors		Right hand hinged reversible door with lock, automatic door closing, 4 grey shelves, castors	
Temperature range:	+2/+12°C	-25/-5°C	+2/+12°C	-25/-5°C
Volume, gross:	425 ltr/15.0 cu.ft.		625 ltr/22.1 cu.ft.	
Volume, net:	398 ltr/13.7 cu.ft.		571 ltr/20.2 cu.ft.	
Exterior/Interior:	White/Stainless, alu		White/Stainless, alu	
WxDxH:	600x740x2000mm		815x740x2000 mm	
Weight, packed:	118 kg	118 kg	160 kg	160 kg
Insulation (cyclopentane):	60 mm	60 mm	60 mm	60 mm
Refrigerant (Hydrocarbon):	R 290	R 290	R 290	R 290
Refrigeration capacity at -25°C:		325 Watt		426 Watt
Refrigeration capacity at -10°C:	261 Watt		345 Watt	
Connection:	230 V, 50 Hz	230 V, 50 Hz	230 V, 50 Hz	230 V, 50 Hz
Connection load:	300 Watt	510 Watt	300 Watt	510 Watt
Power consumption:	0.8 kWh/24h	3.2 kWh/24h	1 kWh/24h	4 kWh/24h

### PRODUCT FEATURES

#### MIDI 425-625

- Digital display
- Visual alarm
- Lock
- Steel interior
- Steel exterior (optional)
- Adjustable shelves

### CERTIFIED ACCORDING TO:

LVD:	EMC:
EN60335-1	EN55014-1
EN60335-2-24	EN61000-4-4
	EN61000-4-5
	EN61000-4-2
	EN61000-4-6
	EN61000-4-11
	EN61000-4-3

### SPECIFICATIONS FOR COMPACT

Item Code	K 200 LE	F 200 LE	K 400 LE	F 400 LE
Equipped with:	Right hand hinged reversible door with lock, 3 white shelves		Right hand hinged reversible door with lock, 6 white shelves	
Temperature range:	0/+12°C	-21/-15°C	0/+12°C	-21/-15°C
Volume, gross:	166 ltr/5.9 cu.ft.	134 ltr/4.7 cu.ft.	387 ltr/13.7 cu.ft.	332 ltr/12.0 cu.ft.
Volume, net:	161 ltr/5.7 cu.ft.	122 ltr/4.3 cu.ft.	377 ltr/13.3 cu.ft.	312 ltr/11.0 cu.ft.
Exterior/Interior:	White/ABS lining in white		White/ABS lining in white	
WxDxH:	595x620x830 mm		595x620x1780 mm	
Weight, packed:	46 kg	50 kg	83 kg	92 kg
Insulation (cyclopentane):	25 mm	50 mm	25 mm	50 mm
Refrigerant:	R 134 a	R 134 a	R 134 a	R 134 a
Refrigeration capacity at -25°C:		121 Watt		195 Watt
Refrigeration capacity at -10°C:	118 Watt		226 Watt	
Connection:	230 V, 50 Hz	230 V, 50 Hz	230 V, 50 Hz	230 V, 50 Hz
Connection load:	102 Watt	91 Watt	187 Watt	112 Watt
Power consumption:	1.0 kWh/24h	1.3 kWh/24h	2.1 kWh/24h	1.3 kWh/24h

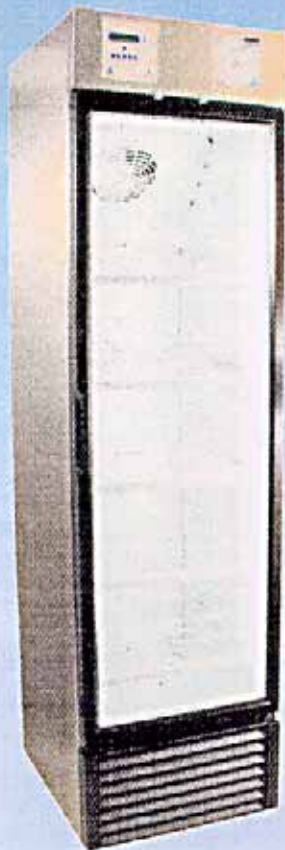
### PRODUCT FEATURES

#### COMPACT 200-400

- Digital display
- Visual alarm
- Lock
- ABS interior
- Steel exterior (optional)

Subject to confirmation and availability - design may vary. We reserve the right to change specifications without notice.

# BLOOD BANK REFRIGERATOR IN +4° +/- 2° STAINLESS STEEL CABINET



The BLCO 420 is designed especially for blood storage to have 4°C temperature uniformity of refrigerated blood in all conditions. The BLCO 420 is tested according to EN 28 187, DIN and AABB regulations.



## BLCO 420

The stainless steel cabinet is equipped with heating elements in the door, lock, full size interior light and door closing facility.



The multi alarm system features digital display, high and low temperature alarm, mains failure, visible and audible alarms, mute facility, user adjustable delay times and storage facility, contact for remote alarm, door lock for security and battery back-up for minimum 4-6 hours of operation.

The Chart recorder features as standard flexible bulb & capillary sensor, Electronic - PT100 or PT1000 sensor, 7 day or 24 hour rotation, choice of temperature ranges, door lock for security (requires a single AA battery). The battery will have a 1 year life span.



The specially designed 20° multishelves, give 100 % flexibility for blood bags and any other purpose. The shelves are machine washable for easy cleaning. The BLCO 420 is equipped with 5 pcs shelves as standard, for 160 pcs 500 ml blod bags.

## SPECIFICATIONS

Gross Volume, litre	418
Volume blood bags	160 pcs/ 500 ml
Temperature Range	4°C +/- 2°C
Ambient temperature	43°C
Energy Consumption	8,5 kWh/24 lhs
Net weight	80 Kgs
Insulation	50 mm
Approvals	AABB, CE, UL*
Dimensions :	
Height	2100
Width	595
Depth	655
Power Supply	220V/115V 50/60 Hz

\* For UL version the unit is equipped with Thermomax controller or similar.



The BLCO 420 is equipped with a lock preventing undesirable access to the products.

## OPTIONAL

Electronic datalogger with software and cables

## FEATURE LIST

- Temperature range 4°C +/- 2°C at 43°C ambient
- Digital multi alarm system with battery back up
- Chart recorder for 24 hours or 7 days operation
- Heated glass door with lock
- Full size interior light
- Special designed multishelves
- Castors for easy access during cleaning
- ABS innerliner for easy cleaning
- External contact for remorte monitoring

# LABORATORY LOW FREEZER BTU 0380

## -80°C

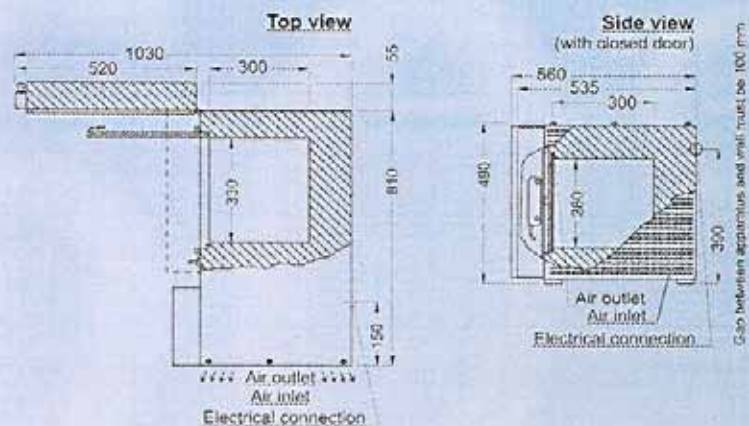
### Laboratory Upright Freezer ProfiMaster BTU 0380

Laboratory upright freezer with natural air circulation. Heavy-duty refrigeration system, maintenance-free, between -55°C to -80°C cascade connection, with industrial grade hermetically sealed refrigeration compressors and reliable cascade refrigeration ton minimize noise and vibration, air-cooled. Operating panel with micro-processor driven temperature controller and digital display (LED). Includes optical/acoustic alarm device with independent circuit and floating contact for connection to an alarm system on the premises. 10 mV/K terminal for connection to a National Lab temperature recorder. Exterior case with stainless steel covering, lateral parts white, sheet steel. Two doors (inside and outside), front door lockable. Door stop on left. Interior made of stainless steel (CNS) without mounted equipment, making it especially hygienic and easy to clean.



ProfiMaster BTU0380  
with Storage System (see accessories)

<b>Model ProfiMaster</b>	<b>BTU 0380</b>
Temperature range	°C: -70 / -80
Other temperature ranges available on request	
Content	litres (gross) 30
Ext. dimensions (WxF-BxH) mm	810x560x490
Int. dimensions (WxF-BxH) mm	330x300x280
Depth with door opened	mm: 1.030
Weight	kg: 82
Power consumption	watts: 650
Mains connection volts / Hz / Ph	230 / 50 / 1
Refrigerant	R507/R508-P



## RACKS AND BOXES FOR ULTF SERIES

NUMBER OF RACKS  
WHEN FULLY EQUIPPED



50 mm



75 mm



100 mm

Type of box	ULTF 80 74 LITRES	Cat. No.	ULTF 320 296 LITRES	Cat. No.	ULTF 320 296 LITRES	Cat. No.	ULTF 420 383 LITRES	Cat. No.	ULTF 420 383 LITRES	Cat. No.
ALPHA-box	4	303003	18	303005	3	303001	24	303005	3	303001
BRAVO-Box	8	303163-8	11	303163-11	6	303163-6	11	303163-11	6	303163-6
EPPI Cryo Box		TE50-08		TE50-11		TE50-06		TE50-11		TE50-06
ALPHA-box	6	303007	7	303009	4	303006	7	303009	4	303006
BRAVO-Box		303164-5		303164-7		303164-4		303164-7		303164-4
EPPI Cryo Box		TE80-05		TE80-07		TE80-04		TE80-07		TE80-04
ALPHA-box	4	303012	5	on request	3	303011	5	on request	3	303011
BRAVO-Box		303165-4	1			303165-3	1			303165-3
EPPI Cryo Box		TE102-04				TE102-03				TE102-03

# LABORATORY UPRIGHT FREEZER UPLTF

The following versions are available depending on the fittings selected:

÷40°

- Version 2:** Basic fittings - see →
- Version 3:** (includes Version 2):  
Only for models UPLTF08403 and UPLTF14403.  
Digital LED temperature display, mains independent and opt./acoustic alarm unit with memory function for alarm setting. Includes floating remote alarm contact. Temperature recorder connection (10mV/K) for installing a temperature recorder. Mounted in separate base cover with an integrated 12-volt electrical circuit. Free choice of mounting position due to 1.5 m long connecting cable. This version has no option for installing a temperature recorder.
- Version 4:** (includes Version 2):  
Only for models UPLTF28404 to UPLTF35404;  
as for Version 3, except that alarm unit is mounted in the top panel instead of the base cover. The cabinet for Version 4 is 80 mm higher.
- Version 5:** (includes Version 3):  
Only for models UPLTF28405 to UPLTF35405:  
With option for installing a National Lab temperature recorder. The cabinet for Version 5 is 160 mm higher.

Laboratory upright freezer with natural air circulation. Maintenance-free cooling system with low-noise and low-vibration fully hermetic compressor, air-cooled. Complete with digital temperature display in the front panel as well as operating control lamp. Outer cover white, galvanized steel plate. Front ventilation enables under-bench mounting. Cooling spirals below the shelves for rapid direct chilling of the stored material from above and below. The removable drawers are sealed all round so that the chilling effect is not reduced on opening the freezer. Door with special freeze-proof seal. Hinges on right (can be moved to left-hand side). Interior contains plastic drawers (see left for quantity). Interior free of ignition sources.



## MODEL UPLTF

	UPLTF8403	UPLTF14403	UPLTF2840	UPLTF3240	UPLTF3540
Temperature range °C	-40	-40	-40	-40	-40
Content litres (gross)	78	126	261	305	350
Ext. dimensions (WxExB) mm	553x600x630	600x621x850	660x683x1447	660x683x1644	660x683x1841
Depth with door opened mm	1155	1225	1445	1445	1445
Weight kg	27	44	67	71	78
Mains connection volts/Hz/Ph.	220-230/50/1	220-230/50/1	220-230/50/1	220-230/50/1	220-230/50/1
Refrigerant	R507	R507	R507	R507	R507
Number of drawers:	2	4	6	7	8
Cat. No. Version 2:	-	-	GSUPLTF28402	GSUPLTF32402	GSUPLTF35402
Cat. No. Version 3:	GSUPLTF08403	GSUPLTF14403			
Cat. No. Version 4:	-	-	GSUPLTF28404	GSUPLTF32404	GSUPLTF35404
Cat. No. Version 5:	-	-	GSUPLTF28405	GSUPLTF32405	GSUPLTF35405

## ACCESSORIES

	Cat. No.
No-volt remote alarm contact for connection to a remote alarm system	ZPFU2-009
ProfiTec Temperature Monitoring and Recording System	GPTEC4A
30-day temperature recorder with fan-fold paper (in a free-standing storage container (5), as built-in version (E))	ZXX2-030
Spare paper for 30-day linear temperature recorder (pack with 10 pcs.)	ZXX2-034
ProfiAlarm Central Alarm	ZXX2-006
ProfiCaller telephone dialler	ZXX2-007
Pt-100 temperature sensor, additionally installed for external temperature recording	ZPM2-020-21
CO <sub>2</sub> back-up system, free-standing	ZXX2-090
Facilities for customer connection of CO <sub>2</sub> back-up system	ZPFU2-094
Transport carriage with 4 castors (2 lockable)	ZPFU5-021
Door lock (width plus 25 mm), factory mounted	ZPFU5-010
Duct to storage compartment 20 mm in diameter	ZPFU1-002-20



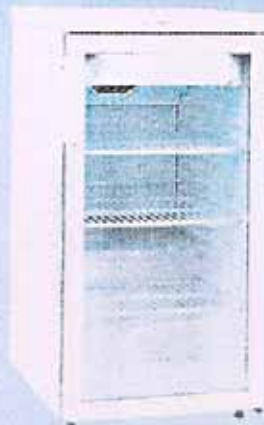
# PHARMACEUTICAL GLASS DOOR FREEZER

## PHARMACEUTICAL COOLERS

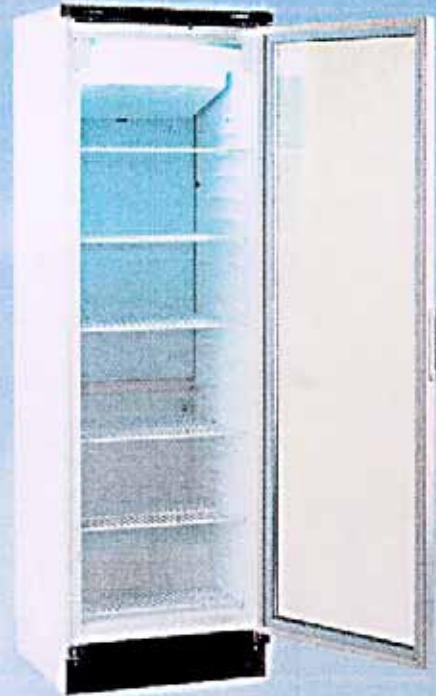
CE



PHC 370



PHC 125



NFG 309

### FEATURES

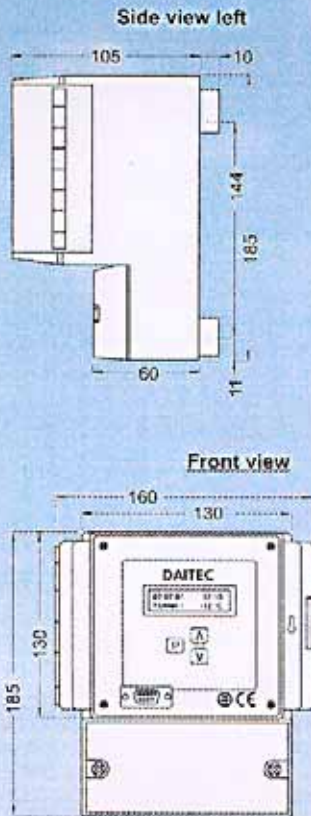
Analog thermostat  
Interior Light  
Flexible shelf system  
Lock (except PHC 125)

### SPECIFICATIONS

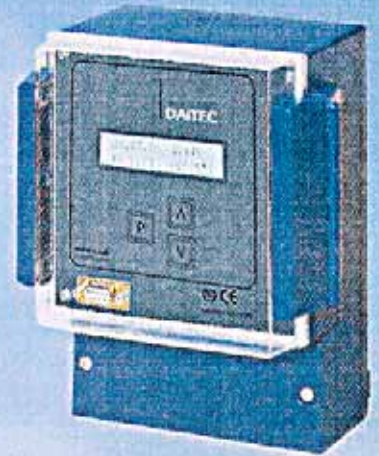
	PHC 125	PHC 311	PHC 370	PHC 371	NFG 309
Gross capacity (Liters)	120	306	377	381	310
Dimension, Exterior (mm) :					
Width	450	595	595	595	595
Height	850	1550	1850	1850	1850
Depth	595	595	595	595	595
WATT, Rated load (W/h):	70	200	300	300	
Temperature Range: 25°C ambient temp. 3 to 10°C	3 to 10°C	3 to 10°C	3 to 10°C	3 to 10°C	16 to -25°C
Weight/Kgs	30 Kgs	73 Kgs	86 Kgs	90 Kgs	82 Kgs

Subject to confirmation and availability - design may vary. We reserve the right to change specifications without notice.

# TEMPERATURE MONITORING AND RECORDING SYSTEM DAITEC

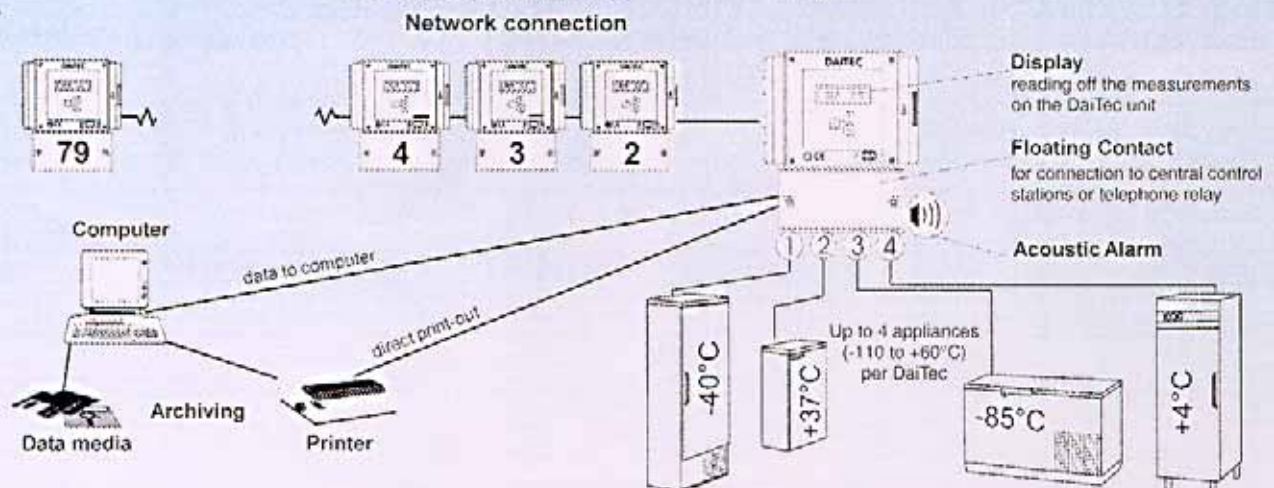


Temperature monitoring and recording system for up to 4 refrigerators and freezers, ovens and incubators. Operating panel with digital display options for date, time, temperature of the 4 measuring stations, automatic adjustment from summer to winter time. The digital display is also used for programming. Measuring stations can be individually identified. Acoustic alarm device with individually adjustable warning levels and delay times. Floating contact for connection to central control stations or telephone relaying. 3 signal inputs for door contact and/or system fault. Records up to 4 measuring stations simultaneously over a period of up to 781 days (5-minute intervals). The readings are stored even in the event of a power failure. A rechargeable battery is available as an option and enables readings to be taken and stored even during a power cut. The measuring protocol can be read out directly on the instrument or fed to a printer or PC via the RS 232 port. Up to 79 units can be linked within a network via the RS 485 port. The measuring protocols can then be called up individually with the PC. The casing is made of plastic with a transparent cover for the operating panel. Screws and a set of plugs are included for mounting the instrument on a wall.



## SPECIFICATIONS

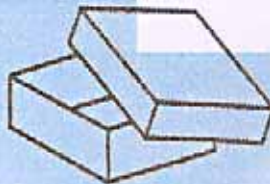
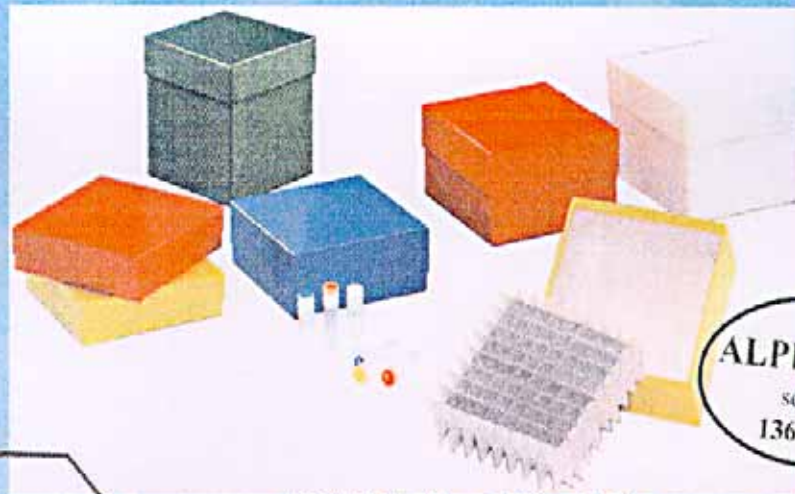
Temperature monitoring range °C	: +60 / -110
Resolution °C	: 0.5
Ambient temperature °C	: 0 to +50
External dimensions (WxDxH) mm	: 60 x 105 x 185
Power consumption (watts)	: 5
Measuring stations	: 4
Signal inputs	: 3 x 230V with time delay
Storage capacity for readings	: 225,000
Interfaces	: RS 232 -serial printer port : RS 485 -PC network
Calibration	: factory preset, maintenance free
Protective system electrical	: IP 54
Mains connection electrical	: 230 / 50
At 25° C ambient temperature	: -83°



# ALPHA-BOX STORAGE AND CRYO BOXES

One of the largest range in the world

For full range please request our CD-Rom

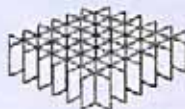


## ALPHA-Box 136 x 136 square Storage and Cryo Boxes

Water-repellent fiberboard boxes suitable for ultra-low temperatures.  
With lid. External dimensions 136 x 136 mm. Height = inner height.  
Quality >>special<< with additional water-proof coating made of plastic.

Colour		Height 32 mm Type A32-1		Height 50 mm Type A50-1		Height 75 mm Type A75-1		Height 100 mm Type A100-1		Height 130 mm Type A130-1	
		Cat. No.	Price ea.	Cat. No.	Price ea.	Cat. No.	Price ea.	Cat. No.	Price ea.	Cat. No.	Price ea.
WHITE	standard	301015WE-1	A 2.40	301001WE-1	A 2.10	301002WE-1	A 2.30	301003WE-1	A 4.40	301004WE-1	A 5.65
	special	301016WE-2	B 3.75	301001WE-2	A 2.65	301002WE-2	A 3.05	301003WE-2	B 6.20	301004WE-2	B 7.05
YELLOW	standard	301015GE-1	A 4.80	301001GE-1	A 2.55	301002GE-1	A 3.05	301003GE-1	A 5.20	301004GE-1	A 7.00
	special	301015GE-2	B 4.95	301001GE-2	A 3.95	301002GE-2	A 4.30	301003GE-2	B 6.45	301004GE-2	B 8.35
BLUE	standard	301015BL-1	A 4.80	301001BL-1	A 2.65	301002BL-1	A 3.05	301003BL-1	A 5.20	301004BL-1	A 7.00
	special	301015BL-2	B 4.95	301001BL-2	A 3.95	301002BL-2	A 4.30	301003BL-2	B 6.45	301004BL-2	B 8.35
GREEN	standard	301015GR-1	A 4.60	301001GR-1	A 2.55	301002GR-1	A 3.05	301003GR-1	A 5.20	301004GR-1	A 7.00
	special	301015GR-2	B 4.95	301001GR-2	A 3.95	301002GR-2	A 4.30	301003GR-2	B 6.45	301004GR-2	B 8.35
RED	standard	301015RO-1	A 4.60	301001RO-1	A 2.55	301002RO-1	A 3.05	301003RO-1	A 5.20	301004RO-1	A 7.00
	special	301015RO-2	B 4.95	301001RO-2	A 3.95	301002RO-2	A 4.30	301003RO-2	B 6.45	301004RO-2	B 8.35

### Grid Dividers for ALPHA-Box Fiberboard Boxes



	Height 25 mm		Height 30 mm		Height 40 mm		Height 65 mm	
	Cat. No.	Price ea.	Cat. No.	Price ea.	Cat. No.	Price ea.	Cat. No.	Price ea.
14x14 cells for vials up to 6.0 mm	302041-25	B 2.30	302041-30	A 2.30	302041-40	A 2.35	302041-65	B 2.45
13x13 cells for vials up to 9.0 mm	302040-25	B 2.30	302040-30	A 2.30	302040-40	A 2.35	302040-65	B 2.45
12x12 cells for vials up to 10.0 mm	302020-25	B 1.50	302020-30	A 1.45	302020-40	A 1.50	302020-65	B 1.65
10x10 cells for vials up to 12.5 mm	302001-25	B 1.40	302001-30	A 1.25	302001-40	A 1.50	302001-65	B 1.65
8x8 cells for vials up to 13.5 mm	302019-25	B 1.40	302019-30	A 1.25	302019-40	A 1.50	302019-65	B 1.65
8x8 cells for vials up to 15.0 mm	302002-25	B 1.40	302002-30	A 1.25	302002-40	A 1.50	302002-65	B 1.65
7x7 cells for vials up to 17.0 mm	302003-25	B 1.40	302003-30	A 1.25	302003-40	A 1.50	302003-65	B 1.65
6x6 cells for vials up to 21.0 mm	302004-25	B 1.50	302004-30	A 1.50	302004-40	A 1.50	302004-65	B 1.65
5x5 cells for vials up to 24.0 mm	302005-25	B 1.50	302005-30	A 1.50	302005-40	A 1.50	302005-65	B 1.65
4x4 cells for vials up to 31.0 mm	302006-25	B 1.60	302006-30	A 1.50	302006-40	A 1.50	302006-65	B 1.65



# **FREEZERS AND REFRIGERATION**





**isselbaecher**  
FOOD · SERVICE · EQUIPMENT GMBH

Schlagweg 12 · 35687 Dillenburg - Niederscheld · Telefon: 02771/2656-0 · e-Mail: [info@issel.com](mailto:info@issel.com)